

DEPARTMENT J22

◆ FFA AGRICULTURAL MECHANICS ◆

ENTRY FORMS DUE →	Friday, May 18 by 5:00 pm
DELIVER EXHIBITS TO →	Community Exhibit Bldg. – Fri., June 15, 3:00 pm to 8:00 pm OR Sat., June 16, 7:00 am-2:00 pm
PICK UP EXHIBITS →	Monday, June 25, 8:00 am. to 7:00 pm
ENTRY LIMIT →	Two entries per class per exhibitor
ENTRY FEE →	\$2.00 per entry per class EXCEPT Farm Equipment Large Projects-\$4.00

RULES

1. Only projects made in school under the supervision of an Industrial Education/Agricultural Teacher may be entered. The teacher must sign entry form and the name of the school must be listed.
2. Students entering exhibits in Agricultural Mechanics must be regularly enrolled in a high school that is following the California State plan for vocational agriculture.
3. Although the exhibits need not be owned by the exhibitor, all must be the products of students as a regular part of their instruction in Agriculture Mechanics for the past year. The student exhibitor must have been at least the major contributor to the building or repairing of the exhibit.
4. No entry may be shown for more than one calendar year.
5. An article may not be entered in more than one class and an exhibitor may not enter more than one article from the same pattern.
6. **NOTE:** In classes for "Any Item" item must be identified on entry form.
7. State Rule IV-7 will apply.

Welding

DANISH SYSTEM OF JUDGING CASH AWARDS OFFERED PER CLASS

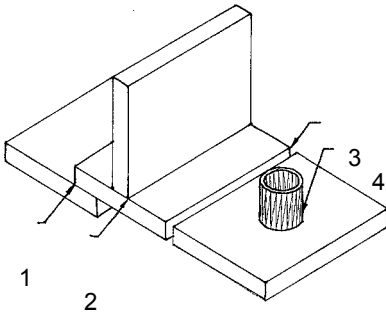
1st	2nd	3rd
\$7.00	\$5.00	\$3.00

RULES:

1. Each entry (weld coupon) must be on metal 5" long.
2. The weld must be a minimum of 4" long.
3. The start and stop on the weld must show.
4. The metal can be of any thickness.
5. The pipe or tubing is to be 2" long.
6. The weld can be done in any position.

CONTINUED NEXT PAGE

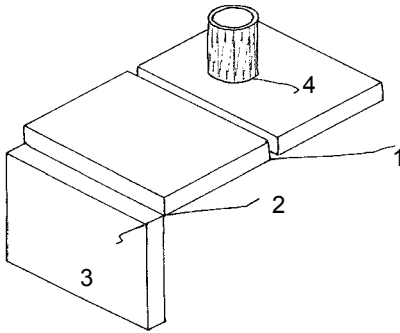
Welding CONTINUED



OXYACETYLENE WELDING (OAW) BRONZE & STEEL FILLER METAL

Class

1. Lap Joint
2. Tee Joint
3. Butt Joint (weld 1 side only steel only)
4. Pipe to flat & or Tubing to flat
(round, square rectangular material only)



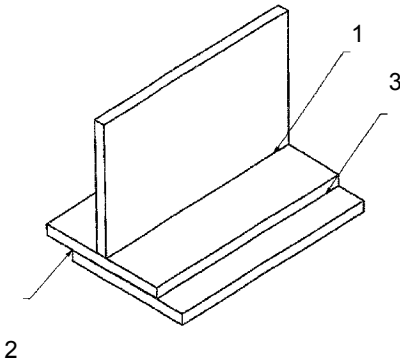
SHIELDED METAL ARC WELDING (SMAW)

Use any of the following electrodes: AWS

E6010, E6011, E6013, E7014, E7024, E7018

Class

1. Butt Joint (100% Penetration) weld 1 side only
2. Fillet Weld
3. Outside Corner Joint
4. Pipe or Tubing to flat
Gas metal arc welding (GMAW) use solid hard wire only. Coupon same as SMAW



GAS TUNGSTEN ARC WELDING (GTAW) STAINLESS STEEL

Class

1. Lap Joint – Filler metal required
2. Lap Joint – No Filler Rod
3. Tee Joint – Filler metal required

ALUMINUM METAL

Class

1. Lap Joint – Filler metal required
2. Lap Joint – No Filler Rod
3. Tee Joint – Filler metal required

CONTINUED NEXT PAGE

SECTION 204 ~ *Welding*

Class

- 1 Oxyacetylene Welding Coupon – Steel Filler Rod
- 2 Oxyacetylene Welding Coupon – Bronze Filler Rod
- 3 Shielded Metal Arc Welding – (SMAW) Coupon
- 4 Gas Metal Arc Welding – (GMAW) Coupon
- 5 Gas Tungsten Arc Welding – (GTAW) Coupon Stainless Steel Base Metal
- 6 Gas Tungsten Arc Welding – (GTAW) Coupon Aluminum Base Metal

SECTION 205 ~ *Electrical Wiring Skills*

DANISH SYSTEM OF JUDGING CASH AWARDS OFFERED PER CLASS

1st	2nd	3rd
\$5.00	\$3.00	\$2.00

NOTE: Covers must not be placed on boxes in order to make judging easier.

If you enter classes 1 through 4 you may mount all 4 on one display board.

Class

- 1 Single pole switch controls one-half of a duplex receptacle, the other half of the receptacle is "hot".
- 2 A "Loop Switch" circuit, PLUS a "Hot" receptacle beyond the Switch
- 3 A 3-way Switch System.
- 4 A 4-way Switch System.
- 5 Other Electrical Wiring Skills

SECTION 206 ~ *Farm Equipment Constructed –*

Small Projects

(Under 12" – try squares, bookends, etc.)

DANISH SYSTEM OF JUDGING CASH AWARDS OFFERED PER CLASS

1st	2nd	3rd
\$5.00	\$3.00	\$2.00

Class

- 1 Cold Metal
- 2 Sheet Metal
- 3 Woodwork
- 4 Other materials
- 5 Welding & Forging
- 6 Any Other, (please describe)

CONTINUED NEXT PAGE

SECTION 207 ~ *Farm Equipment Constructed* –

Medium Projects

(12"-36" - Dust pans, tool boxes, plasma cut signs, etc.)

DANISH SYSTEM OF JUDGING
CASH AWARDS OFFERED PER CLASS

1st	2nd	3rd
\$8.00	\$6.00	\$4.00

Class

- 1 Cold Metal
- 2 Sheet Metal
- 3 Woodworking

Class

- 4 Welding & Forging
- 5 Plumbing display
- 6 Any Other, (please describe)

SECTION 208 ~ *Farm Equipment Constructed* –

Large Projects

(36" and larger)

ENTRY FEE: \$4.00 per entry per class

AMERICAN SYSTEM OF JUDGING
CASH AWARDS OFFERED PER CLASS

1st	2nd	3rd	4th	5th
\$40.00	\$30.00	\$20.00	\$10.00	\$5.00

Class

- 1 Livestock Feeding & Handling Equip.
- 2 General Farm Equipment, metal - (BBQ etc.)
- 3 General Farm Equipment , wood – (benches, tables, etc)
- 4 Any Other, please specify

SECTION 209 ~ *Agricultural Mechanics Awards* (Do Not Enter)

SPONSORED BY: McClure Dairy Inc., Redwood Electrical JATC, Larry & Karyn Pulley, Hansel Auto Group, Western Farm Center

Sweepstakes will be calculated as follows: 1st place - 5 points; 2nd place - 3 points; 3rd place - 1 point (See State Rule IV-7).

SWEEPSTAKES FOR AGRICULTURAL MECHANICS

Class

1	1 st	\$50 & Rosette
	2 nd	\$30 & Rosette
	3 rd	\$20 & Rosette
2	Best Of Show Intern. Electrical Wiring	\$50 & Rosette
3	Best Of Show Adv. Electircal Wiring	\$50 & Rosette
4	Best Of Show Oxyacetylene Welding.....	\$25 & Rosette
5	Best Of Show Electric Arc Welding.....	\$25 & Rosette
6	Best Of Show Farm Equipment.....	\$25 & Rosette